

Spare Parts List

FPR60 Trench Rammer

Honda GX100 Petrol



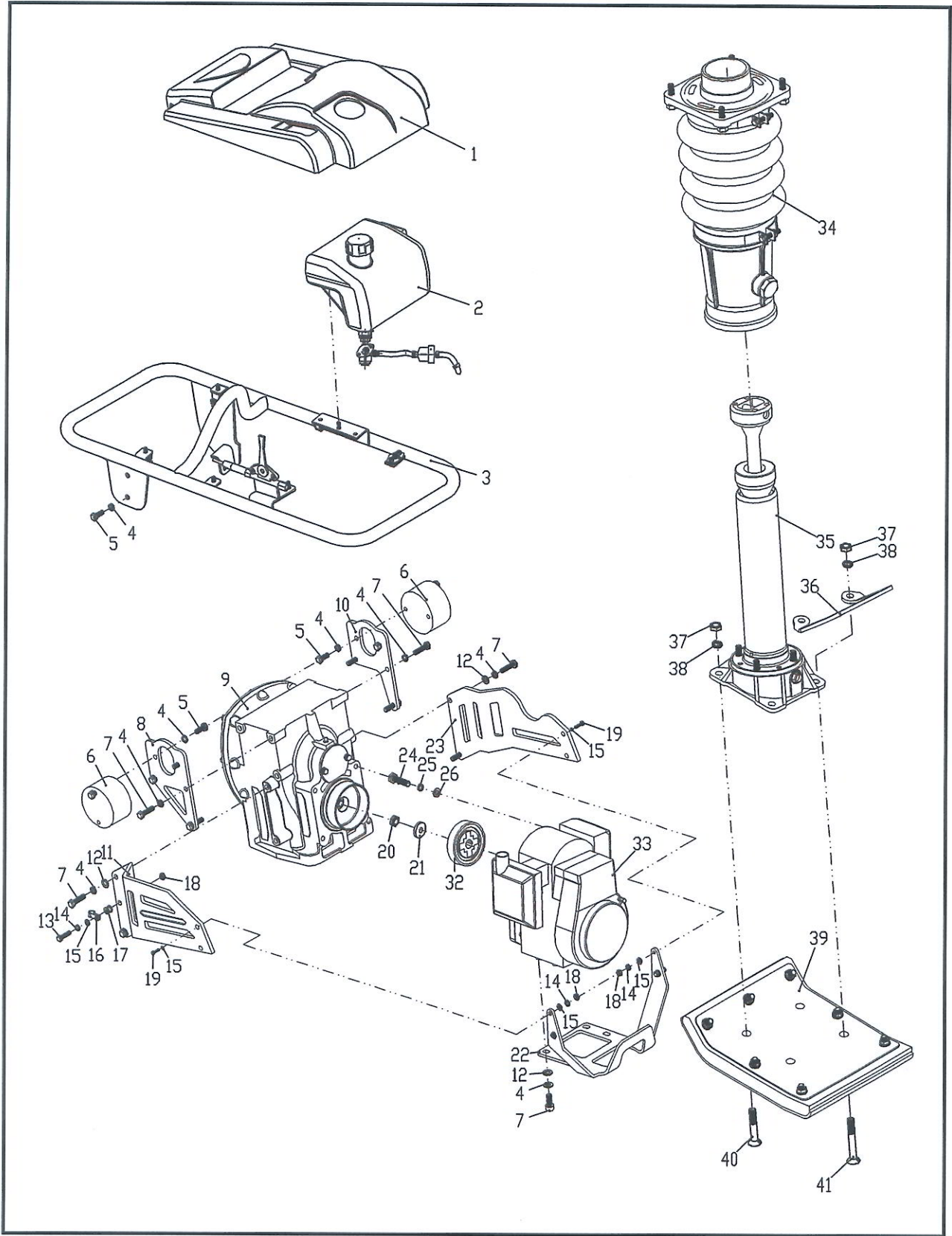
FAIRPORT

CONSTRUCTION EQUIPMENT LTD

Blagden Street
Sheffield
S2 5QS
England
Tel: +44 (0) 114 276 7921
Fax: +44 (0) 114 272 0965
Email: sales@fairport.uk.com
Website: www.fairport.uk.com

Version: 01/10/02

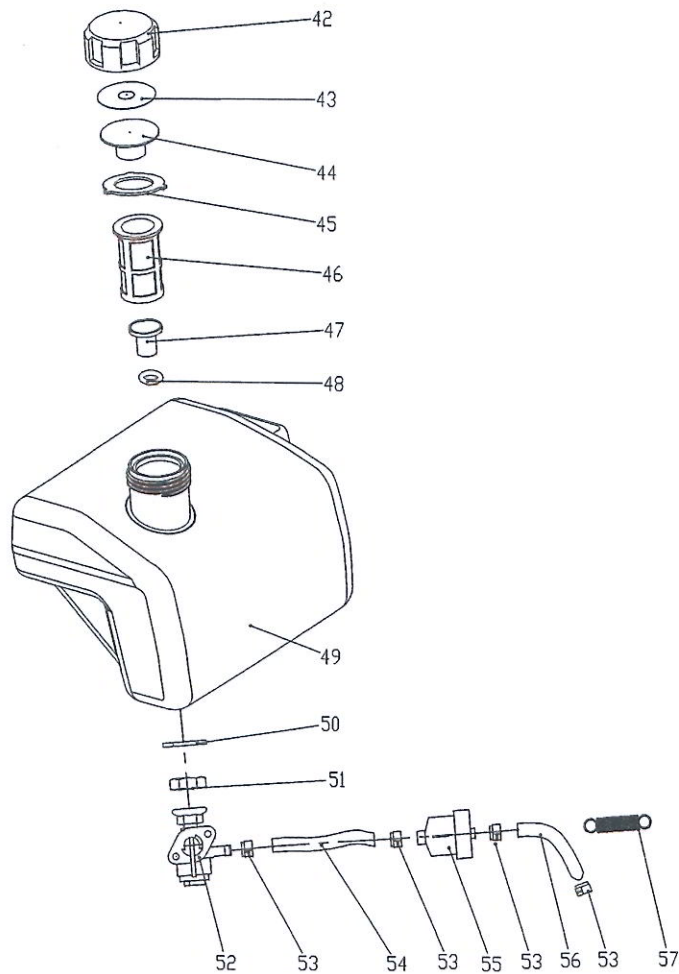
PARTS LIST - MACHINE ASSEMBLY FPR60H



**PARTS LIST - MACHINE ASSEMBLY
FPR60H**

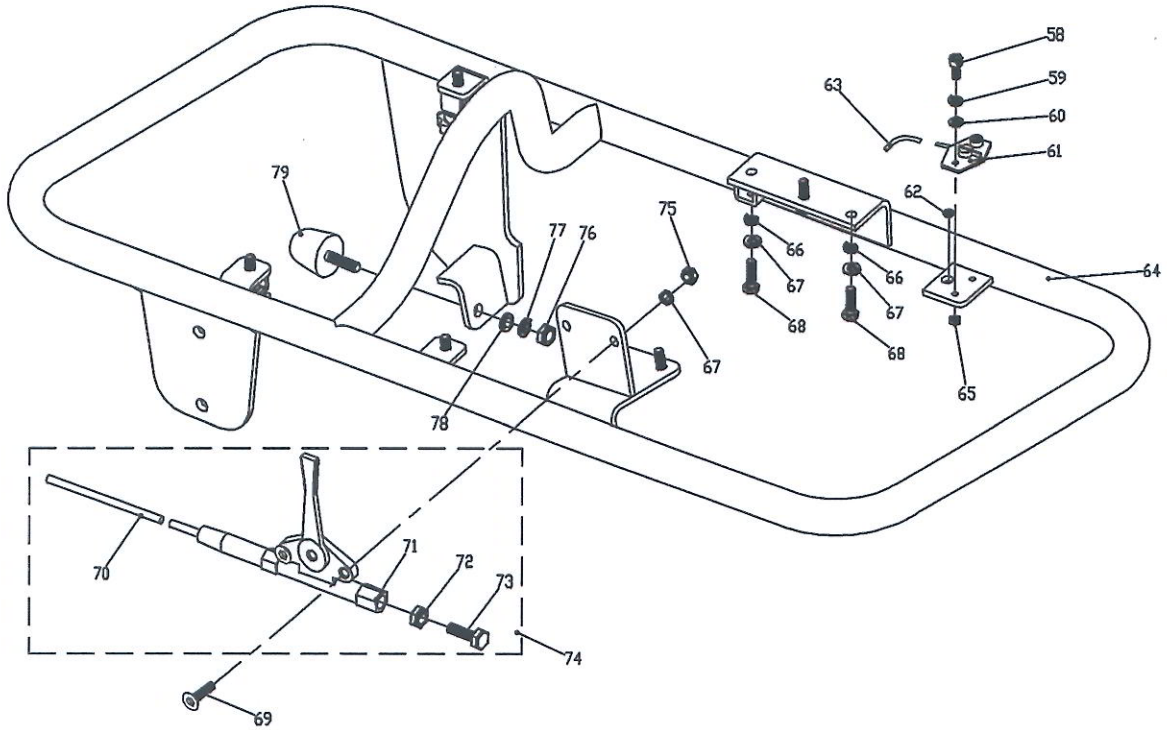
ITEM NO.	DESCRIPTION	PART NO.	QTY	NOTES
1	TOP COVER	W43000	1	
2	FUEL TANK ASSY.	W43300	1	
3	HANDLE ASSY	W43301	1	
4	SPRING WASHER 8	W432/8	18	
5	HEX BOLT M8X20	W435/8/20	8	
6	VIBRATION DAMPER	W43001	2	
7	HEX BOLT M8X30	W435/8/30	14	
8	BRACKET SET, LEFT	W43002	1	
9	CRANK CASE ASSY.	W43302	1	
10	BRACKET SET, RIGHT	W43003	1	
11	PROTECTIVE FRAME, LEFT	W43004	1	
12	FLAT WASHER 8	W420/8	4	
13	HEX BOLT M6X45	W435/6/45	1	
14	SPRING WASHER 6	W432/6	5	
15	FLAT WASHER 6	W420/6	5	
16	CLAMP	W43005	1	
17	WASHER	W43006	1	
18	HEX NUT M6	W440/6	5	
19	BOLT M6X20	W437/6/20	4	
20	NUT	W43070	1	
21	WASHER	W43071	1	
22	SIDE PROTECTIVE COVER	W43007	1	
23	PROTECTIVE FRAME, RIGHT	W43008	1	
24	HEX BOLT M10X40	W435/10/40	4	
25	SPRING WASHER 8	W432/8	4	
26	FLAT WASHER 8	W420/8	4	
32	CLUTCH	W43009	1	
33	ENGINE, HONDA GX100	W43010	1	
34	GUIDE CYLINDER ASSY.	W43303	1	
35	SPRING CYLINDER ASSY.	W43304	1	
36	MANUAL LIFTING HOOK	W43011	1	
37	NYLOC NUT M12	W480/12Z	4	
38	SPRING WASHER 12	W432/12	4	
39	SHOE PLATE ASSY.	W43305	1	
40	BOLT	W530/12/70	2	
41	BOLT	W530/12/75	2	

**PARTS LIST - W43300 FUEL TANK ASSY
FPR60H**



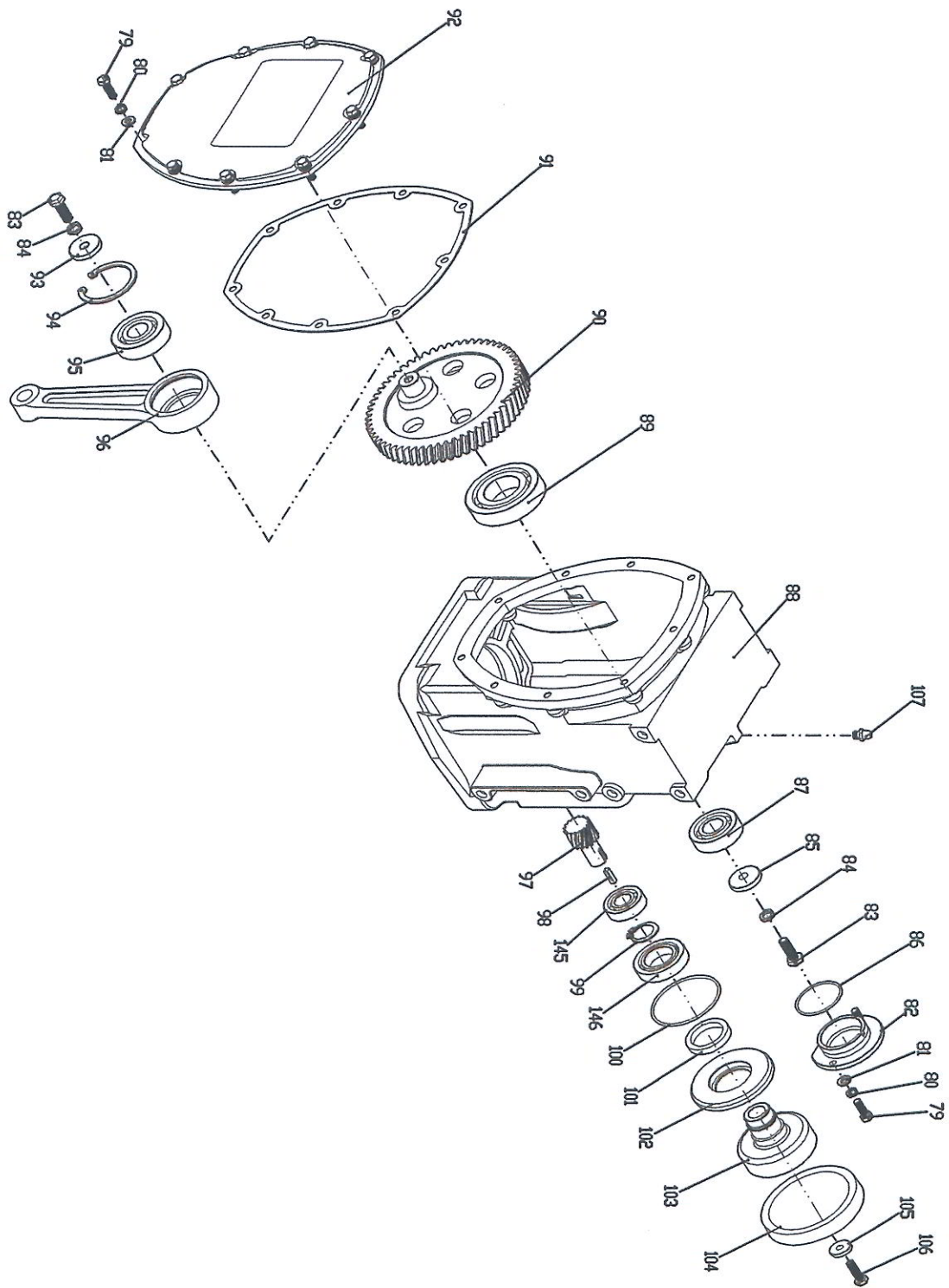
ITEM NO.	DESCRIPTION	PART NO.	QTY	NOTES
42	FUEL TANK CAP	W43014	1	
43	PACKING, FUEL TANK	W43015	1	
44	HOLDER, FUEL TANK	W43016	1	
45	PACKING, FUEL TANK	W43017	1	
46	FUEL STRAINER	W43018	1	
47	CONNECTOR	W43019	1	
48	O-RING	W81142	1	
49	FUEL TANK	W43020	1	
50	FLAT WASHER 14	W420/14	1	
51	HEX HALF NUT M14X1.5	W440/14	1	
52	FUEL COCK	W43021	1	
53	HOSE CLAMP	W43022	4	
54	FUEL HOSE	W43023	1	
55	FUEL FILTER	W43024	1	
56	FUEL HOSE	W43025	1	

**PARTS LIST - W43301 HANDLE ASSEMBLY
FPR60H**



ITEM NO.	DESCRIPTION	PART NO.	QTY	NOTES
58	PAN HEAD SCREW M4X16	P83575	2	
59	SPRING WASHER 4	PY24623	2	
60	FLAT WASHER 4	W418/4	2	
61	ON OFF SWITCH	W43026	1	
62	SLEEVE	W43027	1	
63	CABLE	W43028	1	
64	HANDLE	W43029	1	
65	HEX NUT M4	P80230	2	
66	SPRING WASHER 6	W432/6	8	
67	FLAT WASHER 6	W420/6Z	10	
68	HEX SETSCREW M6X16	W437/6/16Z	8	
69	HEX BOLT M6X14	W469/6/14	2	
70	THROTTLE CABLE	W43030	1	
71	THROTTLE LEVER	W43031	1	
72	HEX NUT M6	W440/6	1	
73	HEX SETSCREW M6X30	W437/6/30	1	
74	THROTTLE CONTROL ASSY.	W43032	1	
75	NYLOC NUT M6	P111-0006-01	2	
76	HEX NUT M8	W440/8	1	
77	SPRING WASHER 8	W432/8	1	
78	FLAT WASHER 8	W418/8	1	
79	RUBBER	W43033	1	

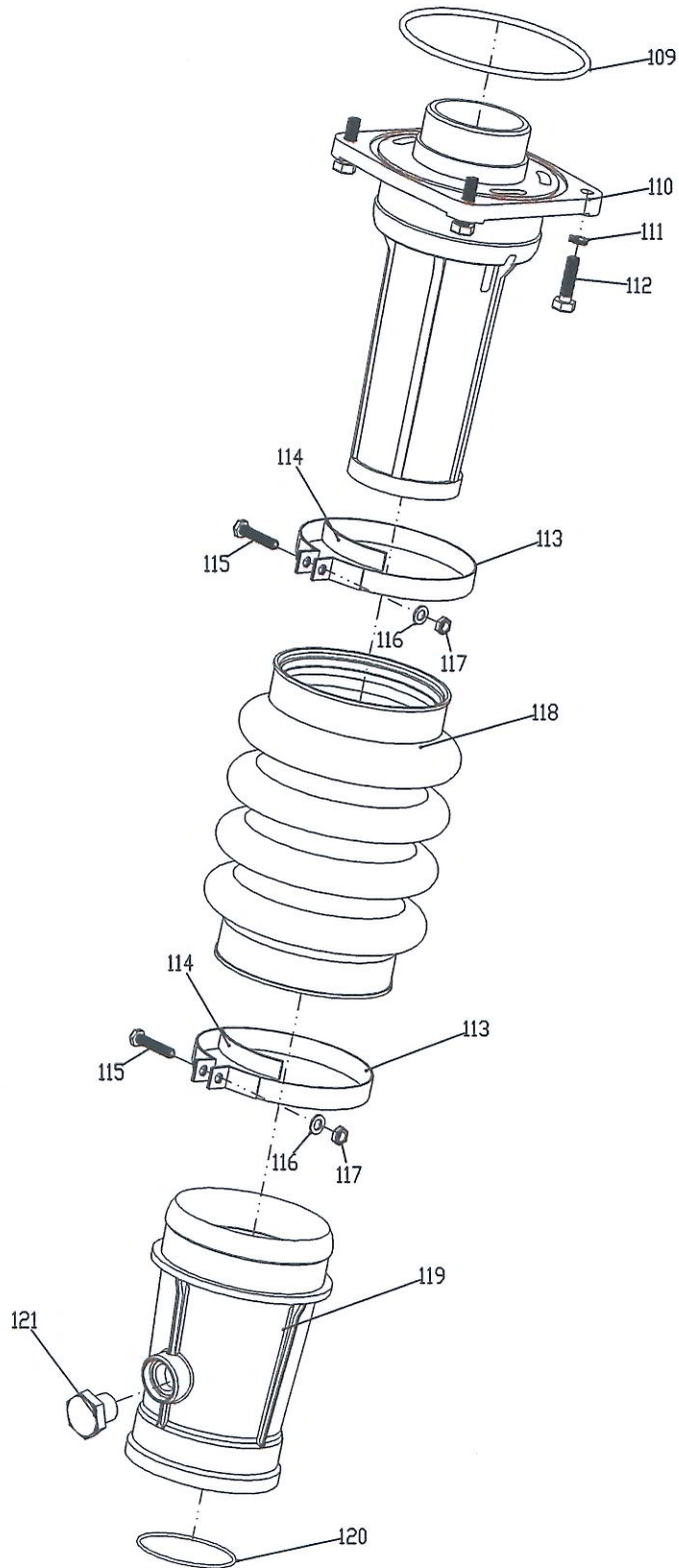
**PARTS LIST - W43302 CRANK CASE ASSY
FPR60H**



**PARTS LIST - W43302 CRANK CASE ASSY
FPR60H**

ITEM NO.	DESCRIPTION	PART NO.	QTY	NOTES
79	HEX SETSCREW M6X20	W437/6/20	11	
80	SPRING WASHER 6	W432/8	11	
81	FLAT WASHER 6	W420/6Z	11	
82	BEARING COVER	W43034	1	
83	HEX SETSCREW M8X25	W437/8/25	2	
84	SPRING WASHER 8	W432/8	2	
85	WASHER	W43035	1	
86	O-RING	W81143	1	
87	BEARING	W81093	1	
88	CRANK CASE	W43036	1	
89	BEARING	W81094	1	
90	CRANK GEAR	W43037	1	
91	GASKET	W43038	1	
92	GEAR COVER	W43039	1	
93	WASHER	W43040	1	
94	RETAINING RING 52	W537/52	1	
95	BEARING	W81095	1	
96	CONNECTING ROD	W43041	1	
97	GEAR SHAFT	W43042	1	
98	KEY	W560/4/12	1	
99	RETAINING RING 35	W538/35	1	
100	O-RING	W81144	1	
101	GASKET	W43043	1	
102	SPACER	W43044	1	
103	CLUTCH DRUM	W43045	1	
104	SPACER	W43046	1	
105	WASHER	W43047	1	
106	HEX SETSCREW M8X30	P120-3008-01	1	
107	EXHAUST	W43048	1	
145	BEARING	W81096	1	
146	BEARING	W81097	1	

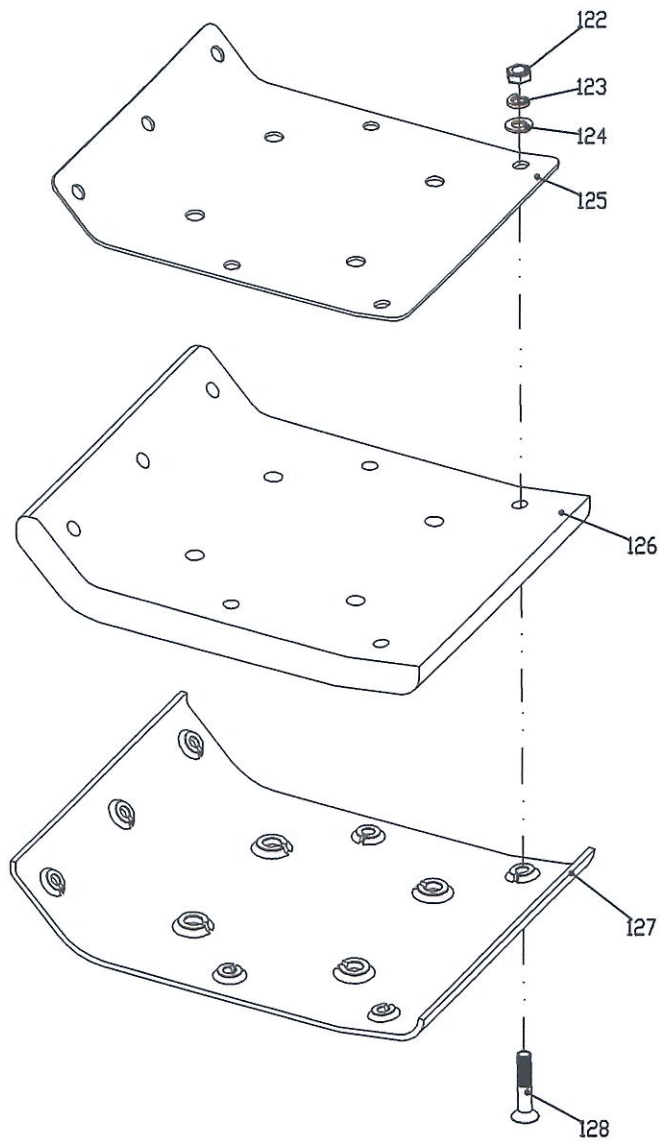
**PARTS LIST - W43303 GUIDE CYLINDER ASSY
FPR60H**



**PARTS LIST - W43303 GUIDE CYLINDER ASSY
FPR60H**

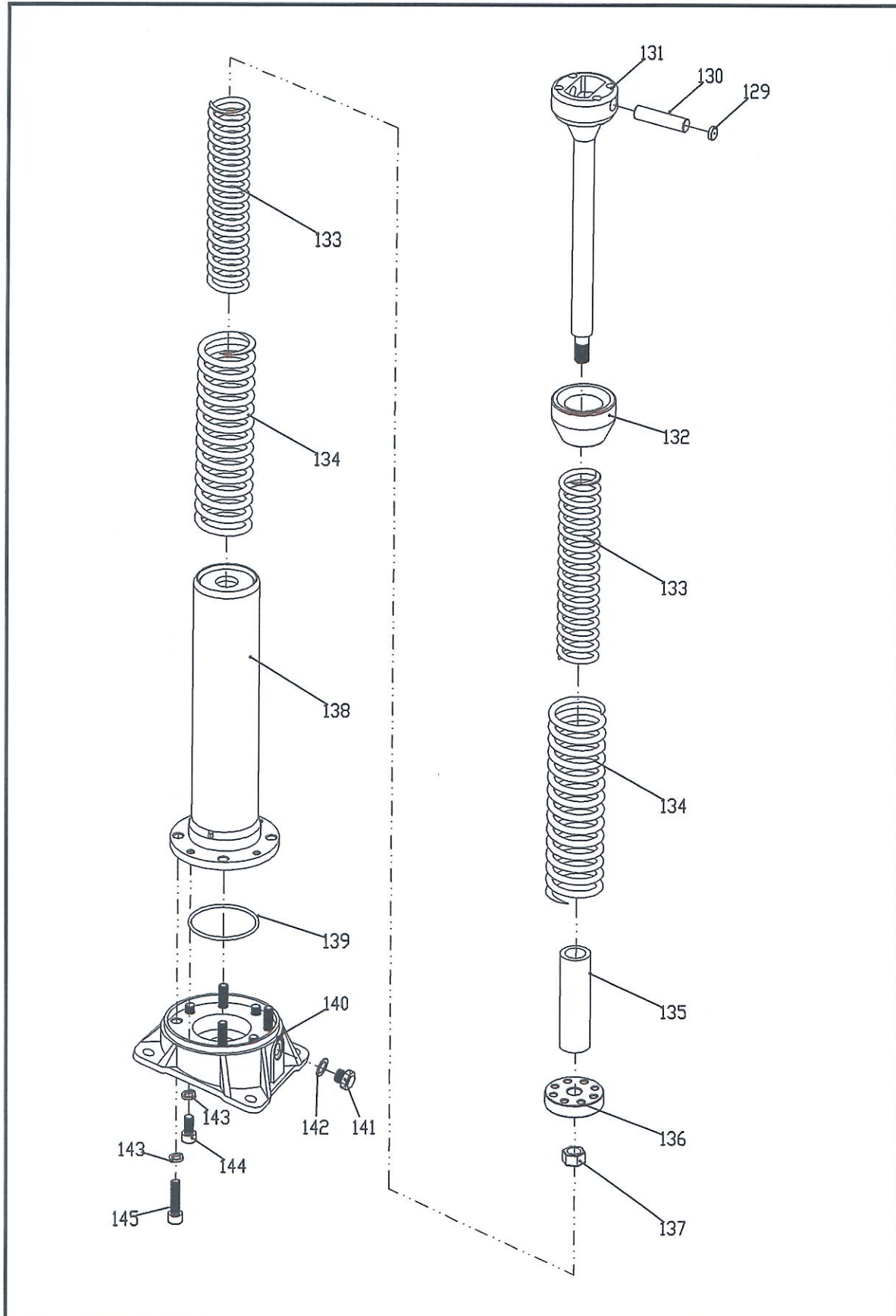
ITEM NO.	DESCRIPTION	PART NO.	QTY	NOTES
109	O-RING	W81145	1	
110	GUIDE CYLINDER	W43049	1	
111	SPRING WASHER 10	W432/10	4	
112	HEX SETSCREW M10X35	W437/10/35	4	
113	BELLOW CLAMP	W43050	2	
114	SPACER	W43051	2	
115	HEX SETSCREW M8X40	W437/8/40	2	
116	FLAT WASHER 8	W418/8	2	
117	HEX NUT M8	W440/8	2	
118	BELLOW	W43052	1	
119	SPRING CYLINDER	W43053	1	
120	O-RING	W81146	1	
121	OIL LEVEL GAUGE	W43054	1	

**PARTS LIST - W43305 STANDARD FOOT ASSEMBLY
FPR60H**



ITEM NO.	DESCRIPTION	PART NO.	QTY	NOTES
122	NYLOC NUT M10	W480/10	7	
123	SPRING WASHER 10	W432/10	7	
124	FLAT WASHER 10	W418/10	7	
125	FOOT COVER	W43055	1	
126	FOOT	W43056	1	
127	METAL SHEET	W43057	1	
128	BOLT	W530/10/50	7	

**PARTS LIST - W43304 SPRING CYLINDER ASSY
FPR60H**



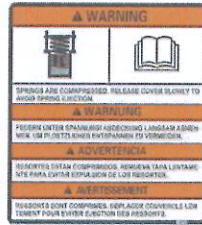
**PARTS LIST - W43304 SPRING CYLINDER ASSY
FPR60H**

ITEM NO.	DESCRIPTION	PART NO.	QTY	NOTES
129	PLUG	W43058	2	
130	PISTON PIN	W43059	1	
131	PISTON ROD	W43060	1	
132	STOPPER, UPPER	W43061	1	
133	SPRING, INNER	W43062	2	
134	SPRING, OUTER	W43063	2	
135	STOPPER, LOWER	W43064	1	
136	PISTON END	W43065	1	
137	NYLOC NUT M16	W480/16Z	1	
138	SPRING CYLINDER	W43066	1	
139	O-RING	W81147	1	
140	FOOT PLATE	W43067	1	
141	PLUG THREADED	W43068	1	
142	GASKET	W43069	1	
143	SPRING WASHER 10	W432/10	8	
144	SKT CAPSCREW M10X20	P80045	4	
145	SCK CAPSCREW M10X40	W455/10/40	4	

PARTS LIST - DECALS
FPR60H



1



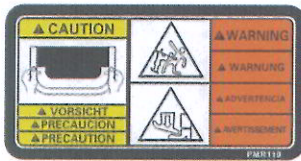
2



3



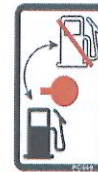
4



6



7



8



9



10



11



12

5

ITEM NO.	DESCRIPTION	PART NO.	QTY	NOTES
1	DECAL, OPERATING	W22064	1	
2	DECAL, COMP. SPRING	W22065	1	
3	DECAL, NOISE	W22066	1	
4	DECAL, FUEL	W22068	1	
5	DECAL, WARNING	W22067	1	
6	DECAL, HOT	W22069	1	
7	DECAL, CHOKE	W22070	1	
8	DECAL, FUEL ON/OFF	W22071	1	
9	DECAL, LIFTING	W22072	1	
10	DECAL, SPEED	W22073	1	
11	DECAL, DESIGNATION	W22099	1	
12	DECAL, FRONT	W22100	1	