

**OPERATOR'S
SPARE PARTS &
SERVICE MANUAL**



®

**Plate Compactor
Models PP193 & PD193**

FAIRPORT

CONSTRUCTION EQUIPMENT LTD

Blagden Street
Sheffield
S2 5QS
ENGLAND
Tel: +44 (0) 114 276 7921
Fax: +44 (0) 114 272 0965
Email: sales@fairport.uk.com
Website: www.fairport.uk.com

Unit 32,
The Bell Centre,
Newton Road,
Manor Royal,
Crawley,
West Sussex,
RH10 9FZ
Tell +44 (0) 1293 534742
Fax +44 (0) 1293 529056

CONTENTS

1.	SAFETY PRECAUTIONS	2
	SAFETY PICTOGRAMS USED ON FAIRPORT EQUIPMENT	3
2.	TECHNICAL DATA	4
3.	STARTING THE ENGINE	5
4.	OPERATOR INSTRUCTIONS	5
5.	GENERAL MAINTENANCE	6
6.	ENGINE	6
7.	VEE BELT ADJUSTMENT	6
8.	CENTRIFUGAL CLUTCH	6
	8.1. M TYPE CLUTCH	6
	8.2. B TYPE CLUTCH	7
9.	ENGINE MOUNTING PLATE AND ANTI-VIBRATION MOUNTS	8
10.	HANDLE, BRACKETS AND ANTI-VIBRATION MOUNTS	8
11.	WHEEL ARM ASSEMBLY	8
12.	VIBRATOR UNIT	8
13.	BLOCK COMPACTING ATTACHMENT PLATE	9
14.	PARTS LIST - BASE PLATE, ENGINE PLATE, BELT GUARD AND ENGINES	12
15.	PARTS LIST WHEEL ARM AND HANDLE BRACKET	16
16.	PARTS LIST CLUTCH PULLEY ASSEMBLY	18
	16.1. M TYPE CLUTCH	18
	16.2. B TYPE CLUTCH	18
17.	PARTS LIST BLOCK COMPACTING ATTACHMENT PLATES	19
18.	WATER SPRINKLER KIT	19
19.	WARRANTY CONDITIONS AND CLAIMS PROCEDURE	20
	CONDITIONS	20
	CLAIMS PROCEDURE	21
20.	REPAIRS AND ESTIMATES	21

1. SAFETY PRECAUTIONS

Do not operate this machine unless all guards are in position and secure.

Do not smoke when refuelling.

Do not refuel with engine running.

Wipe up spilt fuel.

Do not overfill.

Dispose of fuel contaminated wipes safely.

Do not run engine in enclosed areas without adequate ventilation.

Do not run engine in an area that has a hazardous or explosive atmosphere.

Disconnect H.T. lead from spark plug on petrol engines before carrying out any maintenance.

Turn off fuel when not using machine.

Wear protective footwear, ear defenders and gloves.

Comply with site safety regulations.

Check condition of anti-vibration mounts between engine plate and base plate before lifting.

SAFETY PICTOGRAMS USED ON FAIRPORT EQUIPMENT



Wear ear protectors



Wear eye protection



Wear gloves



Wear protective footwear



Wear a mask



Read the operators manual for this equipment



This surface may be hot

2. TECHNICAL DATA

Engines

<u>Type</u>	<u>Net BHP at operating speed</u>	<u>Operating speed</u>
Honda GX160	4.7	3300 RPM
Robin EY20	3.7	3300 RPM
B&S 5HP	4.0	3300 RPM
Yanmar L40AE	3.6	3300 RPM

Dimensions

Base plate width:	460mm
Overall length	960mm
Width, wheels down:	600mm
Height, wheels up:	870mm
Weight with Honda GX160:	92.0 kg
Robin EY20:	92.0kg
B&S 5HP:	93.3kg
Yanmar L40AE:	103.0kg

Noise Levels Honda GX 160

Guaranteed Sound power level:	108. dB Lwa
Sound pressure level at Operators Ear:	98 db Lpa

Test condition: To BS 500-4 2001

Hand/Arm Vibration (maximum axis)

Honda GX160	13.8m/Sec ²
-------------	------------------------

Test condition: To BS 500-4 2001

Performance

Vibration frequency 5500 V.P.M.
Centrifugal force 1570 kg

3. STARTING THE ENGINE

Check oil level.

Turn fuel tap on.

Put speed control lever to tick-over.

If engine is cold, close the choke (petrol engines only).

Turn engine switch to ON(1) position.

Pull the starter rope toggle lightly until resistance is felt, then pull briskly using quick short pull. Do not pull rope to its full extent or allow toggle to snap back against engine. Return it gently to avoid damage.

When engine is warm open choke.

Position engine speed control lever to give required engine speed (usually full speed).

Commence vibration - the compactor is self-travelling.

To stop engine, position the engine speed control to slow and turn the engine switch to off(0).

Turn the fuel valve to off.

4. OPERATOR INSTRUCTIONS

Read section (1) - Safety.

NOTE: Drive between engine and vibrator is through a centrifugal clutch. Vibration will commence as engine speed is increased.

Position the engine speed control lever to give required speed (usually full speed).

Commence compaction. The compactor is self travelling. Its speed of travel and the number of passes required to achieve optimum compaction depends on the type and condition of material being compacted and the layer depth.

Uniformly graded granular material compacts far more efficiently than wet cohesive material.

When compacting block paving always use a rubber attachment mat, contact your agent for details.

When compacting blacktop always use a water spray, contact your agent for details.

Do not run the machine on solid concrete surfaces, as this is likely to cause damage.

5. GENERAL MAINTENANCE

Top up engine oil daily and change regularly using the correct grade of oil in accordance with the engine manufacturers instructions. If the machine is working continuously, check the oil level and top up twice daily.

Clean the air filter element regularly. In very dry, dusty conditions, this should be done daily.

Lightly oil the wheel spindles and wheel arm spindles monthly.

Check tightness of all nuts and bolts monthly.

6. ENGINE

Removal

Unfasten screws (19) and remove the guard (20) and the vee belt (16). Remove the engine mounting bolts (21) and nuts and lift off engine. For engine service, refer to the manufacturer's instructions.

Replacement

To refit engine, reverse removal instructions. Set engine speed to 3300 r.p.m.

7. VEE BELT ADJUSTMENT

Unfasten screws (19), remove the guard and check belt tension. It is important to note that belt tension in this application is much less than is generally accepted as normal. Too high a belt tension may lead to engine damage due to excessive transmission of vibration from the power pack through the vee belt.

To adjust belt tension, loosen the engine mounting nuts and screws (21) and move the engine backwards towards the handle until the front of the engine mounting plate moves downwards slightly. Adjust the engine position to allow the mounting plate to just return to normal level position and tighten the engine mounting nuts and screws after making a final check that the clutch pulley is in line with the bottom pulley.

8. CENTRIFUGAL CLUTCH

8.1. M TYPE CLUTCH

Removal

Remove the guard and vee belt.

Remove the four bolts (15) and nuts which hold the clutch assembly together. Warm the front cover bearing housing (14) and tap the back of the vee belt pulley to withdraw the pulley and front cover. The clutch shoes and inside face of the pulley can now be inspected. If no further work is required, reassemble in reverse order. To further dismantle remove the outer bearing (6) and spacer (13) using a suitable extractor.

To remove the clutch, release the locking tab from the taper lock nut (17) and remove the nut and lock washer. Use a suitable extractor to pull the clutch off the taper lock sleeve. If both the clutch and taper lock sleeve move together, continue to pull until they have moved about 3mm along the shaft adaptor. Now remove pulley extractor and screw on taper lock nut for about 3 turns. Place a short length of tube over the end of the shaft so that the end of the tube bears against the taper lock nut. Give the tube a sharp tap with a hammer to release the taper lock. The taper lock and clutch can now be easily withdrawn.

Lever out key (1), unscrew the countersunk screw (4) and withdraw the shaft adaptor. If the shaft adaptor is screwed onto a threaded shaft, grip the large diameter with "Mole" grips and unscrew (right hand thread).

Replacement

Re-assemble in reverse order. To position the pulley assembly and clutch correctly, fit the distance ring (7) against the shoulder on the shaft adaptor with the recessed side facing outwards. The taper sleeve butts up against the distance ring.

8.2. B TYPE CLUTCH

Removal

To remove the clutch from an engine with a 3/4" keywayed shaft unscrew screw (33), withdraw spacer (29) and pull clutch assembly off shaft.

To remove clutch from an engine with a 5/8" unf shaft unscrew nut (34), remove washer (35) and withdraw clutch assembly. It is possible that when nut (34) is unscrewed shaft adaptor (37) will unscrew from the engine shaft rather than the nut unscrewing from the adaptor. If this happens remove entire assembly, grip the shoulder end of the adaptor in a vice suitably supported internally with a short length of 5/8" bar inserted into the end of the adaptor and unscrew nut (34) as above.

To dismantle the clutch remove circlips (27) and (28) and press out hub(24) complete with shoes and springs.

If it is necessary to remove the shoes and springs note first the orientation of the shoes in the hub and which notch is located on the hub. Care also should be taken when removing the springs.

Replacement

Replacement is the reverse of the above procedure but ensure the shoes are replaced to the same orientation as the ones removed.

9. ENGINE MOUNTING PLATE AND ANTI-VIBRATION MOUNTS

Removal

Unscrew screws (27) and lift off the engine plate. The anti-vibration mounts can now be removed after unscrewing nuts (63).

Replacement

Inspect anti-vibration mounts for deterioration, cracking, tearing etc. and renew if necessary.

Refit anti-vibration mounts to brackets on base plate ensuring a star washer is between the mount and the bracket and that there is also one under the nut. Do not tighten the nuts at this stage.

Refit engine base plate fully tightening screws (27) remembering to place star washers under head of screws. If a mount tends to twist when screw (27) is tightened, ensure nut (63) is loose.

Finally, tighten nuts (63).

10. HANDLE, BRACKETS AND ANTI-VIBRATION MOUNTS

To remove handle, unscrew special screws (47). The handle can now be lifted clear. When re-fitting the handle, ensure that star washers are placed between the handle and the anti-vibration mount to prevent the mount from twisting when the special screws (47) are tightened.

Dismantling of the brackets is straight forward, but take care not to over tighten the locking lever bolt (43) when reassembling.

11. WHEEL ARM ASSEMBLY

Dismantling and reassembly of the wheel arm is straightforward. However, prior to reassembly it is worthwhile applying a thin coating of graphite grease to the wheel arm pivot and to the wheel axle. It should be noted that the dished side of disc spring (48) faces the wheel arm.

12. VIBRATOR UNIT

Dismantling

Remove brackets (38).

To remove the pulley (32) release the locking tab of the taper lock nut (31) and unscrew the locknut approximately two turns. Place supporting wedges between the pulley and the vibrator case end plate (30). Position a short length of tube over the end of the shaft so that it bears against the taperlock nut. Give the tube a sharp tap with a hammer to release the taper lock and remove pulley and taper lock from shaft.

Unscrew the cap head screws retaining the end plate and remove the end plates.

If it is felt that the bearings are not worn, but need regreasing, use Castrol BM2 or an equivalent grease. Half fill the bearings and fully fill the end caps. If the bearings are to be renewed, continue dismantling as follows.

Strike the long end of the vibrator spindle with a copper faced mallet. This will drive out the vibrator spindle and far bearing. Remove the near bearing by striking it with a suitable drift inserted from the far end.

Reassembly

Grease the bearings as described above

First place a bearing shield (64) over the short end of the vibrator spindle with grooved side facing outwards and then press on a bearing. Apply a thin layer of grease to the outside of the bearing and to the bearing housing. Offer the bearing, spindle and bearing shield to the housing and force home using copper faced mallet or press. Fasten the rear cover (36) into position using cap head screws (33)

Place a bearing shield over the end of the shaft. Lightly grease the inner and outer surfaces of the second bearing and also the shaft and housing. Force the bearing onto the shaft and into the housing using a suitable tubular drift and copper faced mallet. Renew the seal in the end plate and refit end plate.

NOTE: Some older base plates might not have a shoulder in the bearing housing. For these applications only Nilos ring, Part No. W81053 may be used. These fit on the shaft between shoulder and bearing. If they are not available, pre lubricated bearings; Part No. W81020 with shields may be fitted. For housings that do have a shoulder, bearing shield, Part No. W51788 should be used.

Replace the bottom pulley and taper lock, but do not tighten until the engine is in position and pulley adjustment can be checked.

13. BLOCK COMPACTING ATTACHMENT PLATE

For Fabricated Base Plate

On some base plates it will be necessary to mark out and drill the fixing holes. It is recommended that the base plate is removed to make this easier. Place the base plate the right way up onto the edge of the attachment plate abutting one of the studs and with the sloping face of the base plate nesting in the sloping face of the attachment plate. Mark the edge of the base plate where the front holes and studs in the attachment plate come and use these marks to scribe underneath the base plate the transverse centre lines of the holes to be drilled. Mark the front to back centre line. Drill three 11mm diameter holes through the front sloping face, one on the centre line and 205mm each side of the centre line and drill two 11mm diameter holes 115mm each side of the centre line for the studs. Refit the base plate. Fit the attachment plate with the fastenings provided.

Check tightness of fastenings after 15 minutes operation.

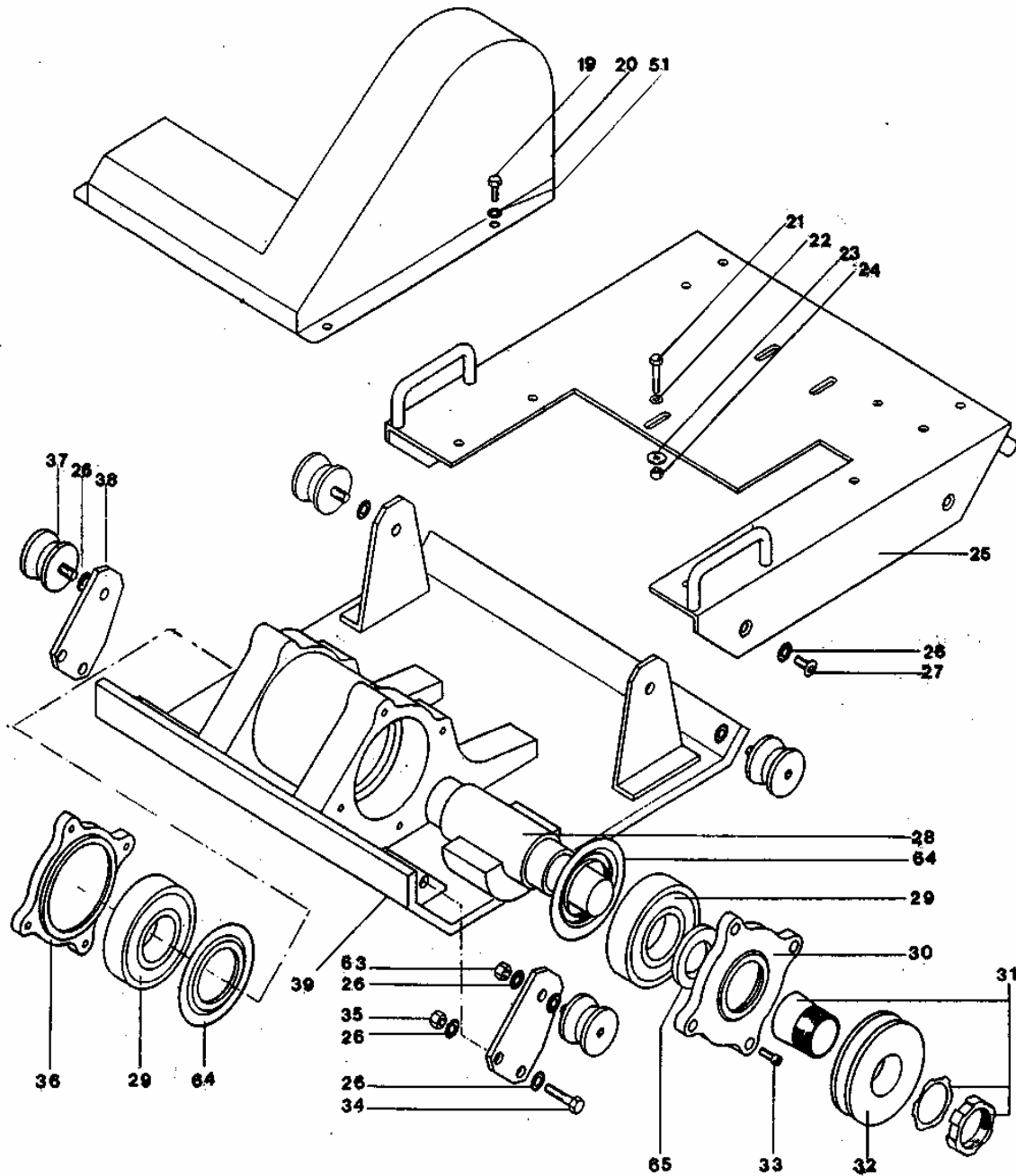
For Cast Base Plate

Place the compactor on the attachment plate and check that the holes in the attachment plate line up with the slots in the base plate. Fasten attachment to base plate with screws and washers provided. The large diameter washers with a flat are fitted on the inside of the front and the fully rounded large diameter washers are fitted at the rear.

Check tightness of fastenings after 15 minutes operation.

PARTS DIAGRAM - BASE PLATE, ENGINE PLATE AND BELT GUARD

N.B. To prevent torsional distortion of A-V mounts tighten screws 27 before tightening nuts 63.



14. PARTS LIST - BASE PLATE, ENGINE PLATE, BELT GUARD AND ENGINES

<u>Item No.</u>	<u>Part No.</u>	<u>Description</u>	<u>Qty</u>
19	435/8/16	M8 x 16 Hex. hd. bolt	5
20a	W51819	Belt guard (petrol engines)	1
20b	W51765	Belt guard (Yanmar engine)	1
21	435/8/40	M8 x 40 hex. hd. eng. mt. bolt	3
22	420/8/25	M8 Washer	3
23	W526/8	M8 large. dia. washer	3
24	480/8	M8 Nyloc nut	13
25a	W51811	Engine plate (petrol engines)	1
25b	W51772	Engine plate (Yanmar L40 engine)	1
26	439/10	M10 Star washer	28
27	469/10/16	M10 x 16 Csk. Skt. Screw	4
28	W51809	Eccentric weight and shaft	1
29	W81054	Ball bearing (for use with ring item 64)	2
29	W81020	Ball bearing (with out ring item 64)	2
30	W50243	Front cover	1
31	W80098	Taper sleeve	1
32a	W51810	Lower pulley for use with M type clutch	1
32b	W55036	Lower pulley for use with B type clutch	1
33	455/6/22	M6 x 22 cap. hd. screw	8
34	435/10/30	M10 x 30 hex. hd. bolt	4
35	480/10	M10 Nyloc nut	4
36	W50240	Rear cover	1
37	W80466	A.V. mount	4
	W88909	A.V. mount after Oct 2002	4
38	W51812	Front bracket	2
39	W51808	Base plate	1
51	439/8	M8 star washer	7
63	480/10	M10 nut	4
64	W51788	Bearing shield (for shouldered brg hsg)	2
64	W81053	Nilos ring (for straight through brg. hsg)	2
65	W81246	Lip seal	1

Additional requirements for diesel version (not illustrated)

W51773	Rear buffer bracket	2
W51774	Rear buffer	2

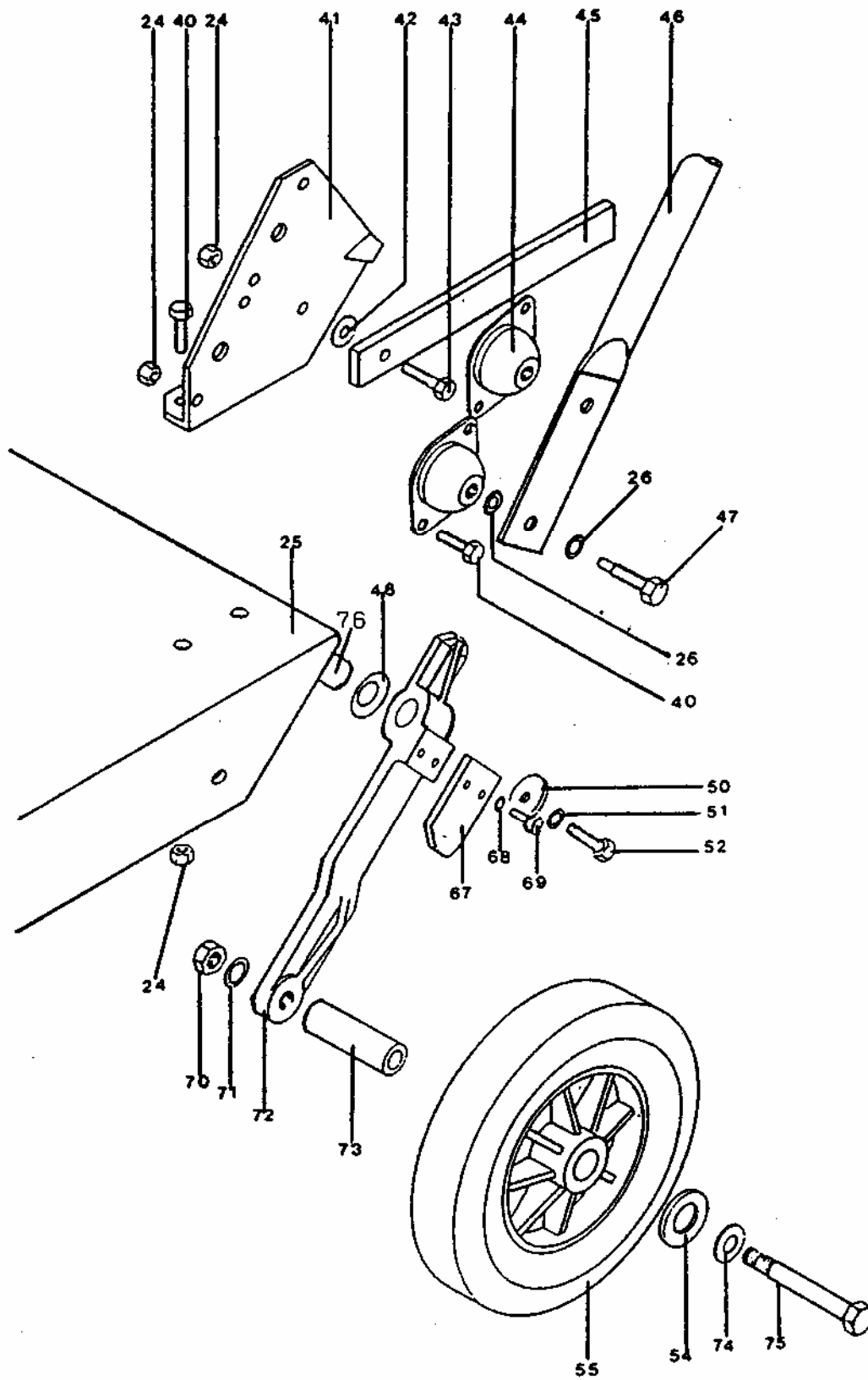
Engine Part Numbers

Honda GX160 screwed shaft	W81732
Honda GX160 keywayed shaft	W81731
Robin EY20 screwed shaft	W81798
Robin EY20 keywayed shaft	W81776

Briggs & Stratton keywayed shaft
Yanmar L40 keywayed shaft

W81924
W81843

PARTS DIAGRAM - WHEEL ARM AND HANDLE BRACKET



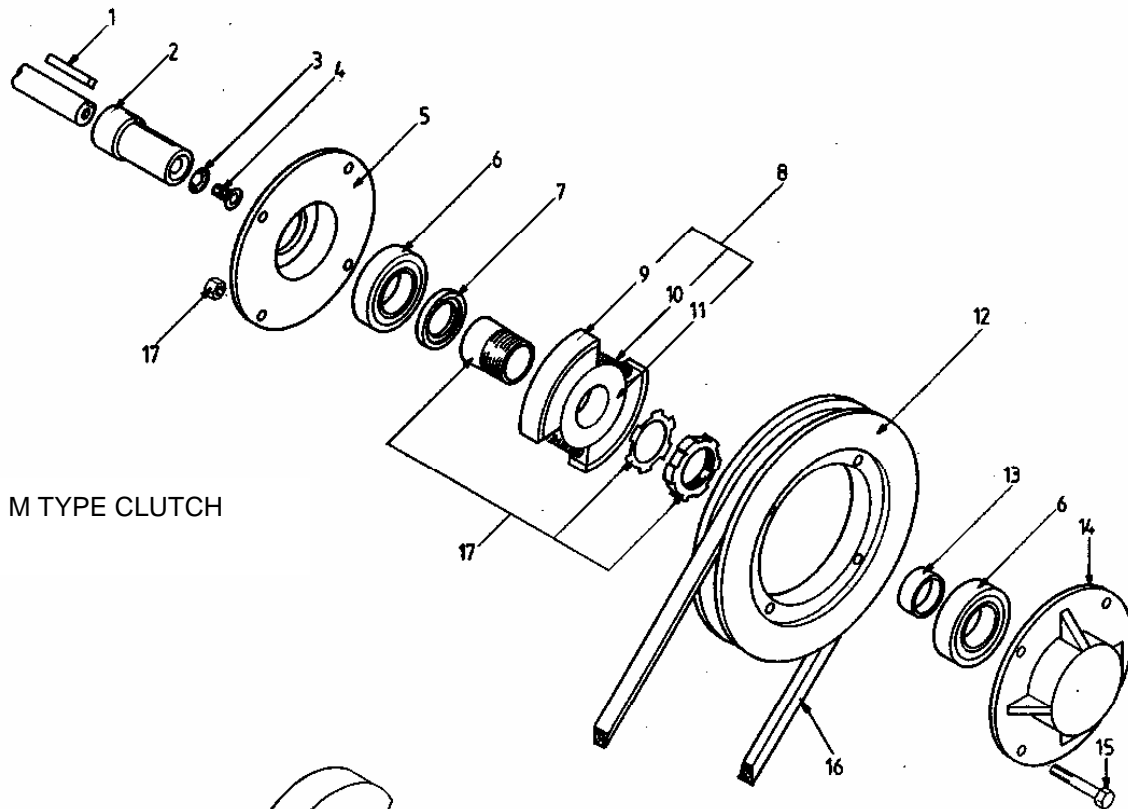
Items Fitted to Engines (not illustrated)

W51784	Throttle stop (for Honda engines)	1
433/6	Ext. star washer (for throttle stop)	1
437/6/16	M6 x 16 screw "	1
418/6	M6 washer "	1
480/6	M6 nyloc nut "	1
W81805	Exhaust deflector (for Honda engine)	1
W81846	Deflector screws "	2
W81860	Exhaust deflector (for B & S.engine)	1

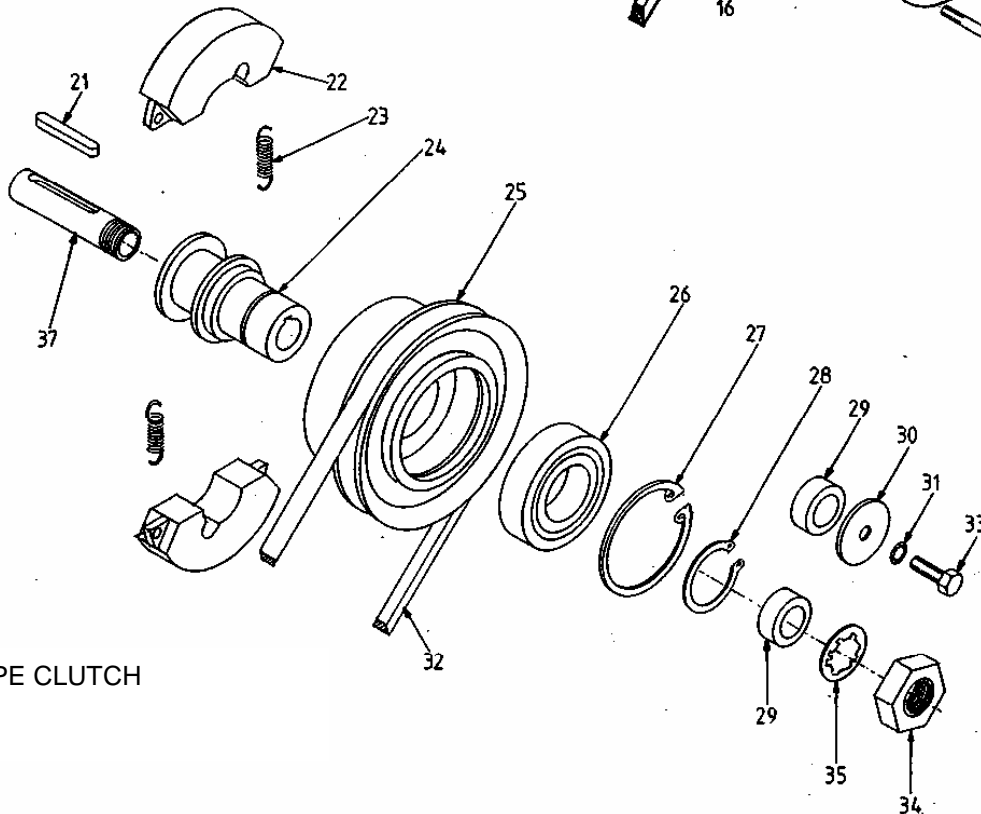
15. PARTS LIST WHEEL ARM AND HANDLE BRACKET

<u>Item No.</u>	<u>Part No.</u>	<u>Description</u>	<u>Qty</u>
24	480/8	M8 Nyloc nut	13
25	W51811	Engine plate	1
26	439/10	M10 star washer	28
40	437/8/20	M8 x 20 hex. hd. screw	40
41	W51814	Handle bracket LHS	1
41	W51815	Handle bracket RHS	1
42	W80467	8.2 i/d disc spring	2
43	435/8/25	M8 x 25 hex. hd. bolt	2
44	W83011	Anti-vibration mount	4
45	W51816	Locking lever	2
46	W51813	Handle (U type)	1
47	W51823	Handle bolt	4
48	W80468	Disc spring 18 x 35.5	2
50	W51817	Pivot washer	2
51	439/8	M8 star washer	7
52	435/8/16	M8 x 16 hex. hd. bolt	2
54	418/20	M20 washer	6
55	W80322	Wheel	2
67	W51827	Catch plate	2
68	433/6	M6 star washer	4
69	437/6/14	M6 x 14 hex. hd. screw	4
70	485/12	M12 thin nut	2
71	433/12	M12 star washer	2
72	W51825	Wheel arm	2
73	W51826	Wheel axle	2
74	420/12	M12 washer	2
75	435/12/90	M12 x 90 hex. hd. bolt	2
76	W51820	Wheel Arm Pivot (Welded to eng. plate)	2

PARTS DIAGRAM - CLUTCH PULLEY ASSEMBLY



M TYPE CLUTCH



B TYPE CLUTCH

16. PARTS LIST CLUTCH PULLEY ASSEMBLY

16.1. M TYPE CLUTCH

<u>Item No.</u>	<u>Part No.</u>	<u>Description</u>	<u>Qty</u>
1	W84040	Key (3/4" shaft)	1
2	W51719	Shaft adaptor (3/4" shaft)	1
2	W51160	Shaft adaptor (5/8" UNF)	1
3	417/10	Csk star washer for 3/8" UNF screw *	1
3	417/8	Csk star washer for 5/16" UNF screw*	1
4	466/6/30	3/8 UNF csk skt screw x 3/4" long*	1
4	466/5/16	5/16 UNF csk skt screw x 5/8" long*	1
5	W50102	Rear cover	1
6	W81007	Ball bearing	2
7	W50106	Distance ring	1
8	92468	Clutch assembly	1
9	W81929	Clutch shoe	2
10	W81933	Clutch spring	2
11	W52341	Clutch hub	1
11a	W87401	Drive pin (not shown) **	2
12	W50107	Clutch pulley	1
13	W50101	Spacer	1
14	W50103	End cover	1
15	435/6/40	M6 Hex. Hd bolt x 40 long	4
16a	W80223	Ve e belt A36 (diesel engines)	1
16b	W80465	Ve e belt A33 (petrol engines)	1
17	W80097	Taper sleeve	1
18	480/6	M6 Nyloc nut	4
	92351	Clutch assembly (5/8" UNF shaft)	
	91026	Clutch assembly (3/4" keywayed shaft)	

* Check size required (3/4" shafts only)

** Fit pins with split facing inwards to centre of engine shaft. Grind off ends of pins flush to face of hub.

16.2. B TYPE CLUTCH

21a	W84040	Key (3/4" shaft)	1
21b	W14565	Adaptor key (5/8" shaft)	1
22	BT-01200035	Shoe	2*
23	BT-01000178	Spring	2*
24	BT-11300026	Hub	1*
25	BT-11600320	Drum/Pulley	1*
26	W81048	Ball bearing	1*
27	W81254	Circlip	1*
28	W81303	Circlip	1*

29	W14562	Clutch spacer	1
30**	W51817	Washer (3/4" shaft)	1
30**	W525/6/16	3/8" large dia washer (3/4" shaft)	1
31**	439/8	M8 Shakeproof washer (3/4" shaft)	1
31**	425/6	3/8" Shakeproof washer (3/4" Shaft)	1
32a	W87276	Vee belt (petrol engines)	1
32b	W80036	Vee belt (Yanmar engine)	1
33**	408/5/10	5/16" UNF x 5/8" hex screw (3/4" shaft)	1
33**	525/6/10	3/8" UNF x 5/8" hex screw (3/4" shaft)	1
34	W14571	Locknut	1
35	425/12	3/4" Shakeproof washer	1
37	W55037	Shaft adaptor	1

Items marked * comprise 93024 Clutch Pulley Assembly.

** Check size required.

17. PARTS LIST BLOCK COMPACTING ATTACHMENT PLATES

(not illustrated)

For Cast Base Plate

<u>Part No.</u>	<u>Description</u>	<u>Qty required</u>
92650	Block compacting attachment plate kit comprising parts listed below:	
W51780	Attachment plate	1
W50165	Rear washer	2
W51787	Front washer	2
435/12/50	M12 x 50 bolt	2
439/12	M12 Shakeproof washer	4
418/12	M12 plain washer	2
480/12	M12 Nyloc nut	4

For Fabricated Base Plate

92333	Block compacting attachment plate kit comprising parts listed below:	
W51822	Attachment plate	1
435/10/40	M10 x 40 hex. bolt	3
480/10	M10 Nyloc nut	5
420/10	M10 washer	8

18. WATER SPRINKLER KIT

(not illustrated)

92332 Water sprinkler kit comprising parts listed below

W51670	Strap	1
W51671	Bracket	1
M-PP193ws.doc		19

Issue 3226-Sep 01

Issue 3285 Oct 02
Issue 3415 Sept 04
Issue 3436 Jan 05
Issue 3523 Dec 05

W80568	Tank	1
W87868	1/4 X 1/8 bush	1
P80210	Tap	1
W80045	Plastic feed pipe	1.4m
W80528	Clip	4
W51783	Sprinkler tube	1
W87856	1/4bspt plug	2
480/12	M12 Nyloc nut	2
429/12	M12 washer	2
435/6/55	M6 X 55 hex hd bolt	4
480/6	M6 Nyloc nut	4

19. WARRANTY CONDITIONS AND CLAIMS PROCEDURE

All products supplied by Fairport Construction Equipment Ltd (hereafter referred to as FCE) are warranted to be free of defects due to faulty materials or workmanship for a period of 12 months from the date of original despatch from FCE or as specified below:

Hydraulic hoses and hydraulic couplings – 3 months.

Hydraulic accumulators – 6 months.

Flexible drives – 6 months.

All spare parts used in repairs carried out by FCE or an authorised dealer or repairer – 3 months.

If the goods have been purchased through a stockist the above warranty periods also apply from receipt of the goods by the user of the equipment up to a total of a further 6 months from date of despatch from FCE whichever is earlier.

Filter elements, gauges and oils are specifically excluded from this warranty.

FCE shall at their option repair or replace during normal working hours goods accepted as faulty free of charge to the user.

For proprietary items such as engines, the original manufacturer's warranty and conditions shall apply.

CONDITIONS

The goods shall be returned at the purchaser's expense to FCE or to a destination FCE may reasonably direct. Carriage costs will be refunded if warranty is accepted.

Warranty claims will not be considered where there is evidence that failure has been caused by carelessness, improper use, negligence, inadequate servicing, incorrect engine speeds, fair wear and tear or non-compliance with instructions issued by the manufacturer.

To the extent permitted by law, the liability of FCE under this section is confined only to providing a remedy for defective goods and does not extend to any consequential loss, loss of profit, injury or damage suffered.

Warranty will not be accepted on dismantled goods unless dismantling was carried out with the written permission of FCE.

No claim shall be considered if other than genuine parts supplied by FCE have been used.

Products are only covered by this warranty in the country to where they were supplied by FCE.

Warranty on products applies only to the original user of the equipment.

This warranty shall not apply if the serial number or other identifying numbers or marks applied by FCE have been removed, defaced or are otherwise illegible.

CLAIMS PROCEDURE

Check that the goods are still under warranty before returning them to FCE (see above for warranty periods).

Return the goods to FCE with an order number for the work to proceed. If warranty is accepted no charge will be made. If warranty is not accepted a quotation will be given for the repair and the conditions under the section headed REPAIRS AND ESTIMATES will apply.

In the customer's interest, goods must be accompanied by documentation detailing the nature of the fault or its symptoms. Phrases such as 'Faulty' are unacceptable and will result in delays and possible charges to defray costs incurred in identifying the fault.

In the case of hydraulic breakers and power packs, both the breaker and the pack should be returned

20. REPAIRS AND ESTIMATES

When returning a machine, or an assembly for repair, always include an Advice Note quoting model and serial number of the machine.

An official order must also be forwarded to FCE giving detailed instructions. No repair work can be carried out unless covered by an official order.

An estimate will be submitted before proceeding with any repair. To partly cover the cost in dismantling, cleaning and inspection, a small charge will be made, this however will be waived upon receipt of your official instructions to proceed with the repair.

In the event of the estimate not being accepted, a further charge will be made to defray the rebuilding of the machine. Estimates must be treated as approximate only as it may be found necessary to use additional parts on further examination.

EC Declaration of Conformity

We Fairport Construction Equipment Limited
Blagden Street
Sheffield
S2 5QS

Declare that the product
PP 193 Fitted with Honda GX160 engine
Manufactured from 1 Sept 2004

conforms to the following Directives:

89/336/EEC, 89/392/EEC, 91/368/EEC, 2000/14/EC

uses the following standards:

BS EN 292-1, BS EN 292-2, BS EN 294

conforms to the following Statutory Instruments

The Supply of Machinery (Safety) Regulations 1992 & amendments

Complies with the relevant essential health and safety
requirements of the Machinery Directive

Technical Construction File no. **93331**

Noise Construction Technical File **PP193 2004**



Technical Manager

Signature

Position

R.J.Castle I.Eng M.I.Mech.E.

Signed by

12/12/2005

Date